



DP-1000-T

SMART I/O™

DESCRIPTION

The DP-1000-T is a high performance cost effective differential air flow sensor that precisely and repeatably measures 0 – 2 inches water column pressure and provides a proportional voltage output that spans 250mV to 4V. Power and signal connections are made fast and easy to Smart Controls controller for fast and easy installation in air ducts, ventilation systems and other air flow applications.

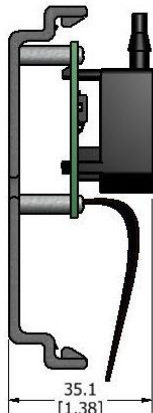
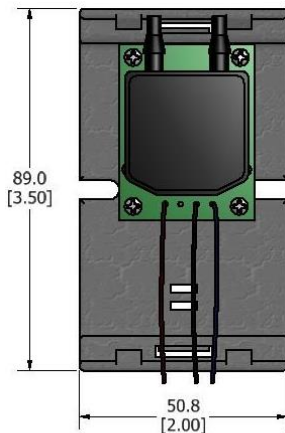
APPLICATIONS

- Variable Air Volume Systems (VAV)
- Filter Pressure Drop
- Fan/Ventilator Control
- Duct Air Flow Measurement
- Room/Cabin Pressure Control

FEATURES

- 0 – 2" WC with Superior Accuracy and Performance (SAP™)
- Cost Effective for HVAC applications
- Fully Calibrated and Temperature Compensated
- Compact Size for Simple Mounting and Installation
- DC Power can be provided from Smart Controls' Controllers with +20V Outputs.
- 2 Year Limited Warranty

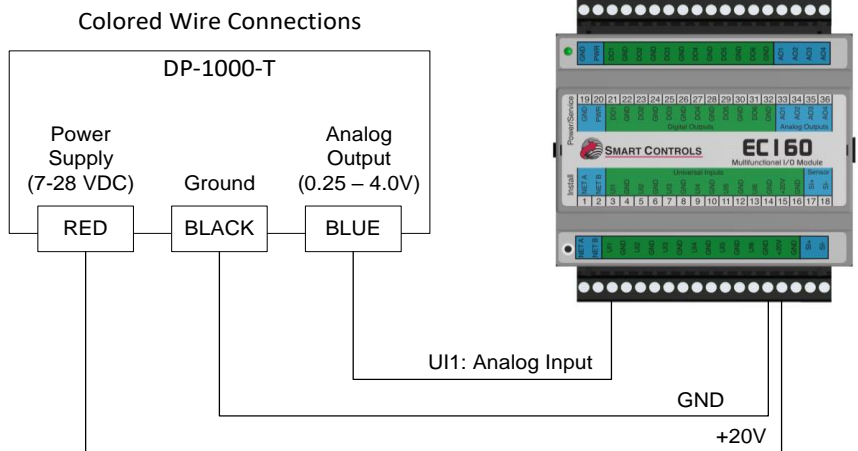
DIMENSIONS



SPECIFICATIONS

<u>Power</u>		<u>Environmental</u>	
Supply Voltage Range:	7-28 VDC	Operating Temperature:	-10 °C to +60 °C, 14 °F to 140 °F
Connects to		Storage Temperature:	-40 °C to +80 °C, -40 °F to 176 °F
Smart Control Controller:	+20V terminal	Relative Humidity:	non-condensing
<u>Input Parameters</u>		<u>Track Mount</u>	
Type:	Gas Flow Through	Dimensions:	L 3.50" (89mm) W 2.00" (50.8mm) H 1.38" (35.1mm)
Measurement Range:	0 – 2 Inch Water Column	Mounting:	Slotted and non-slotted screw/rivet holes
Admissible Overpressure:	14.5 PSI (1 bar)		
Burst Pressure Capability:	29 PSI (2 bar)		
<u>Output Parameters</u>		<u>Warranty</u>	
Voltage (Zero Pressure):	0.250 ± 0.003 Volts	Period:	2 Years (Limited)
Voltage (Full Scale):	4.00 ± 0.06 Volts		
Accuracy:	0.2% Full Scale (FS) 1.5% Measured Value (m.v.) whichever value is greater (32 to 122°F, 0 to 50°C)		
Repeatability:	0.5% measured value		

EXAMPLE WIRING DIAGRAM



CONTACT



Office:
10000 St. Clair Avenue
Fairview Heights, IL 62208
U.S.A.
Phone: 618-394-0300
Fax: 618-394-1575

E-mail:
sales@smartcontrols.com

Web site:
www.smartcontrols.com

Smart I/O and Smart Controls logo are trademarks of Smart Controls, LLC. Smart Controls, LLC reserves the right to make changes without further notice to this product for improvements in design and reliability. Smart Controls, LLC does not assume any liability arising out of the application or use of this product; neither does it convey any license under its patent rights of others.