



PROGRAMMABLE Sensor Interface

SI-20-TH

DESCRIPTION

The SI-20-TH sets a new standard in aesthetics and functionality. The architectural design of the SI-20-TH was achieved through the input of industry professionals, as well as a multitude of end users. Its' copyrighted design has been described as "Simple Elegance". The SI-20-TH quietly blends in to its surroundings and is as comfortable on the boardroom wall as it is in a classroom. Rave reviews have also been received by custom homeowners and designers. Architects and designers can now work in harmony with engineers and contractors. The aesthetic integrity of a building no longer has to be compromised to deliver optimum comfort and performance.

The simply elegant design of the SI-20-TH is only enhanced by it's Superior Accuracy and Performance (SAP™). Optimum user functionality has been built in to every SI-20-TH. The SI-20-TH Interface is fully programmable to accommodate the "EXACT" user requirements for each project. When an adjustment is made through the SI-20-TH, visual feedback is provided through the integral LCD display. The custom designed display incorporates 4 digits as well as 8 alphanumeric characters to aid in the simplicity of use and design.

Programmable Adjustment

The "up" and "down" as well as the "menu" push-buttons are used to adjust the values defined by the application requirements. Up to 62 unique screens can be created yielding unprecedented flexibility in a cost effective User Interface.

Precision Internal SAP™ Sensors

The SI-20-TH incorporates a precision thermistor and a field replaceable humidity sensor for Superior Accuracy and Performance (SAP™) of the space environment assuring long term stability and maximum accuracy.

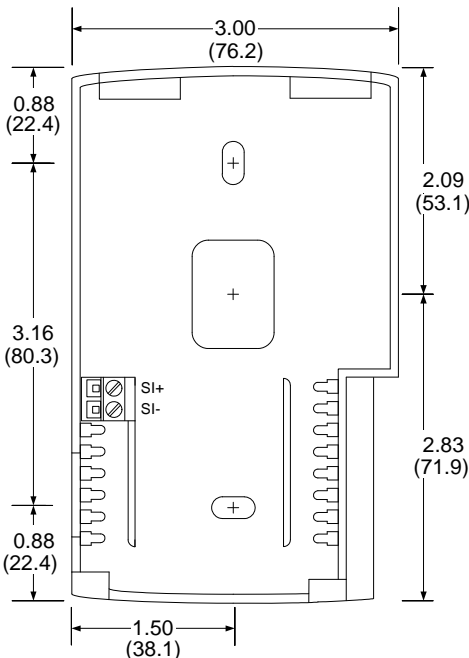
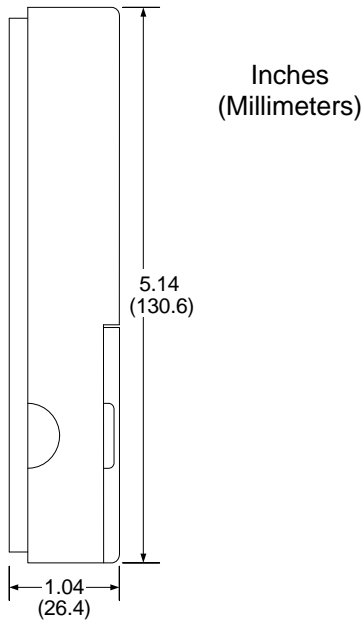
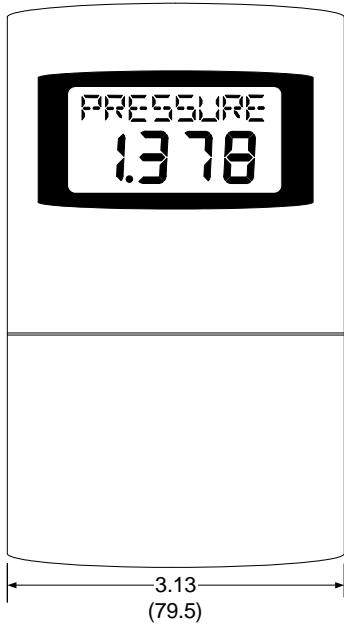
Override Push-button

In addition to the up, down arrows and menu buttons for user adjustment, the SI-20-TH has a 4th button for after hours override require

FEATURES

- **Simple Elegance™ architectural styling**
- **User Interface:**
LCD Display
Top Line: 8 Character Alphanumeric
Bottom Line: 4-digit Discreetly Concealed 4 push-buttons with programmable functionality
- **Precision SAP™ Temperature Sensor**
- **Precision Field Replaceable SAP™ Humidity Sensor**
- **Fully Programmable Push Button Adjustments for maximum flexibility.**
- **2 Wire Connection to SC100-MP & SC160-MP Family of Controllers. Easy to retrofit where only a 2 wire sensor used to exist.**
- **Optional 2.5mm communication jack and terminals.**
- **Engineered for Superior Accuracy & Performance SAP™**
- **2 Year Limited Warranty**





SPECIFICATIONS

Power/Communications

EC160 compatible: 2-wire SI-20 Communication Bus
 Maximum Distance: 500 feet
 Protection Circuitry: Reverse Polarity Protected
 Communications Jack: 2.50mm (optional)

Environmental

Operating Temperature: 0 °C to +50 °C, 32 °F to 122 °F
 Storage Temperature: -20 °C to +70 °C, -4 °F to 158 °F
 Relative Humidity: 5% to 95% (non-condensing)

On-Board Temperature Sensor

Temperature Sensor: Precision Thermistor, 10K Type II
 Accuracy: ±0.2 °C, ±0.36F (0 to 50 °C)

On-Board Humidity Sensor

Humidity Sensor: CMOSens® Chip
 Accuracy: ±2.0 % (10 to 80 %)
 Operating Humidity Range: 0 to 100% Humidity

Enclosure

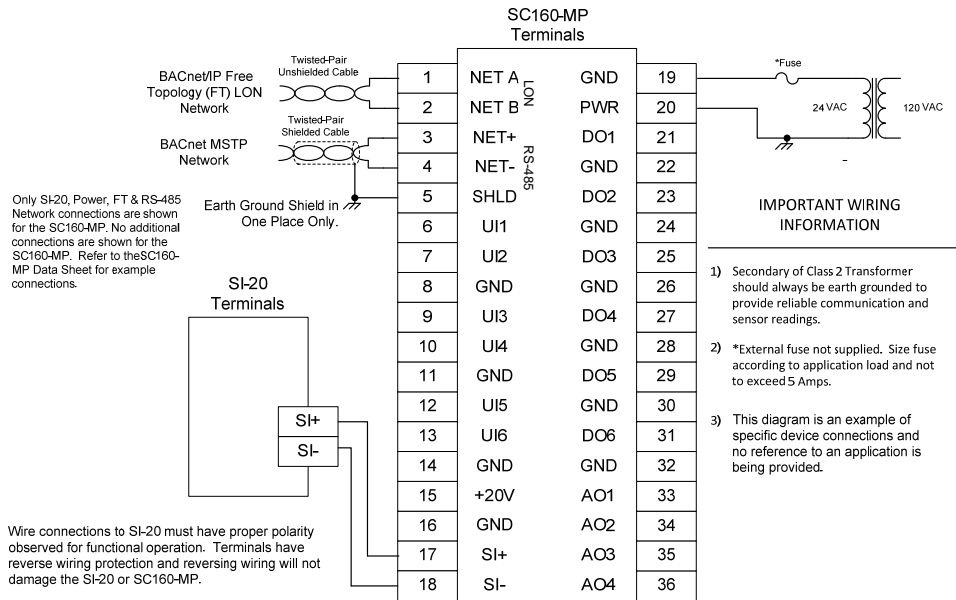
Display:

Upper Line: 8 Character Alpha-Numeric
 Lower Line: 4 Digit LCD Display
 Push Buttons: 4 Fully Programmable for User Functionality
 Dimensions: L 5.14" x W 3.13" x H 1.04"
 (130.6 x 79.5 x 26.4 mm)
 Material: ABS, UL 94-VO rated

Warranty

Period: 2 Years (Limited)

EXAMPLE WIRING DIAGRAM



Office:
 10000 St. Clair Avenue
 Fairview Heights, IL 62208
 U.S.A.
 Phone: 618-394-0300
 Fax: 618-394-1575

E-mail:
sales@smartcontrols.com

Web site:
www.smartcontrols.com

Document Number: 37- 0322, ver. 1.0.0

1. Smart Controls, Simple Elegance, SAP are trademark of Smart Controls, LLC. Smart Controls, LLC reserves the right to make changes without further notice to this product for improvements in design and reliability. Smart Controls, LLC does not assume any liability arising out of the application or use of this product; neither does it convey any license under its patent rights of others.