



# Di161

## SMART I/O™

### DESCRIPTION

The Smart I/O™ Di161 programmable controller incorporates 16 channels of cost effective digital inputs. The inputs are monitored and controlled by a Neuron 3150 chip with Free Topology communication over a LonWorks® network. The Di161 controller can be utilized in many custom or fixed distributed control applications.

The inputs of the Di161 make it perfect for a variety of monitoring applications. The wide operating temperature range, -20 to 70 °C, makes the Di161 well suited for many demanding applications.

The sixteen signal-isolated digital inputs can be used for a variety of functions such as alarms inputs, switch inputs, occupancy sensor inputs, or any other dry contact or open-collector input. The factory default application provided with the Di161 controller allows simple and easy monitoring of dry contact or similar digital inputs.

User defined algorithms and functions can be programmed using VisualControl™, NodeBuilder, LonBuilder or other third party LONWORKS programming tools. The application program can be downloaded over the free topology network and is stored in FLASH non-volatile memory so it is retained even after loss of power.

The Di161 controller is protected from reverse power supply input wiring, over-voltages, transients, and other common electrical events that can damage unprotected inputs.

The enclosure snaps right onto a 35mm DIN-rail for quick and easy mounting. The spring-loaded latching mechanism on the base plate allows for easy removal of the controller from a DIN rail.

### APPLICATIONS

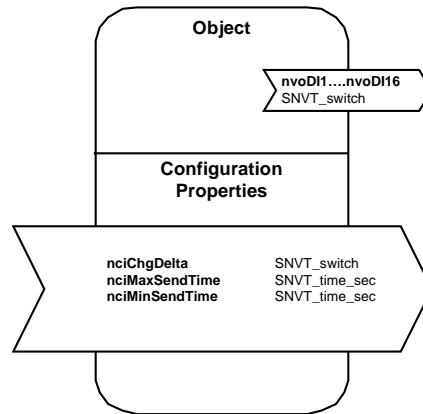
- Pulse Metering
- Central Plant
- Access Control
- Security Contacts
- Push-Button Monitoring
- Lighting
- Alarming
- Digital Status
- Equipment Monitoring
- Production line Monitoring
- Custom Applications

### Application

### FEATURES

- LonTalk Protocol
- Free Topology Communication (FTT-10)
- 16 digital inputs for dry contact or open-collector monitoring
- FLASH Memory
- DIN-rail mounting
- Compact Size for Minimal Panel Space
- Fully programmable
- 2 Year Limited Warranty

#### Digital Input Monitor



**nvoDI1....nvoDI16 (SNVT\_switch):** Value and state of the digital input (dry contact). Contact open is logic low (value = 0, state = 0) and contact closed is logic high (value = 200, state = 1).

**nciChgDelta (SNVT\_switch):** Minimum change in Value or State to send an output update. A value of zero (0) will send an output update at the Minimum Send Time rate. The Minimum Send Time must expire before a change in output Value and State is updated. The Change on Delta controls all output network variables equally. The default Value and State is 100, 1 for a change on open (0) to close (1) or close (1) to open (0). Either or both quantities can be used to set the Change on Delta.

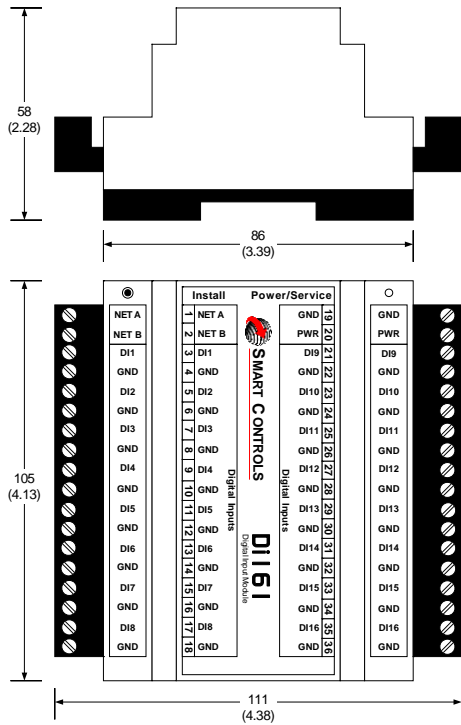
**nciMaxSendTime (SNVT\_time\_sec):** Defines the maximum period of time between output updates, regardless of the input value or minimum send time. This provides a heartbeat mechanism. The maximum send time controls all output network variables equally. To disable this input set to 0. The default time is 0 seconds, disabled.

### SELECTION GUIDE

#### S-Di161P-F-B

- B - 56K Flash Memory Only
- F - Free Topology Communication (78Kb)
- P - Plug Connector
- S - Programmable Memory

## DIMENSIONS



## CONTACT



**SMART CONTROLS**

**Office:**  
 10000 St. Clair Avenue  
 Fairview Heights, IL 62208  
 U.S.A.  
 Phone: 618-394-0300  
 Fax: 618-394-1575

**E-mail:**  
[sales@smartcontrols.com](mailto:sales@smartcontrols.com)

**Web site:**  
[www.smartcontrols.com](http://www.smartcontrols.com)

Echelon, LONWORKS, 3150, NEURON AND LONTALK are trademarks or registered trademarks of Echelon Corporation.

Smart I/O and Smart Controls logo are trademarks of Smart Controls, LLC. SMART CONTROLS, LLC reserves the right to make changes without further notice to this product for improvements in design and reliability. SMART CONTROLS, LLC does not assume any liability arising out of the application or use of this product; neither does it convey any license under its patent rights of others.

## SPECIFICATIONS

### General

Communication: LONTALK™ Protocol  
 Transceiver: FTT-10, Free Topology  
 Processor: Neuron 3150 @ 10 MHz  
 Memory: 64K bytes FLASH  
 2K bytes SRAM (Neuron)  
 0.5K bytes EEPROM (Neuron)

### Inputs

Number: 16  
 Digital: Dry Contact,  
 Open-Collector  
 (12V, sink 6 mA)  
 Protection Circuitry: Transient Over voltage, ESD

### Enclosure

Dimensions: L 105 x W 86 x H 58 mm  
 (4.13" x 3.39" x 2.28")  
 Cover: Lexan 940, UL94-V0 rated  
 Base: Noryl VO1550, UL94-V0 rated

### Warranty

Period: 2 Years (Limited)

### Power

Nominal Input Voltage: 24 VAC  
 Input Voltage Range: 21-28 VAC or 21-39 VDC  
 Maximum Consumption: 6 VA

### Environmental

Operating Temperature: -20 °C to +70 °C, -4 °F to 158 °F  
 Storage Temperature: -40 °C to +70 °C, -40 °F to 158 °F  
 Relative Humidity: 5% to 95% (non-condensing)

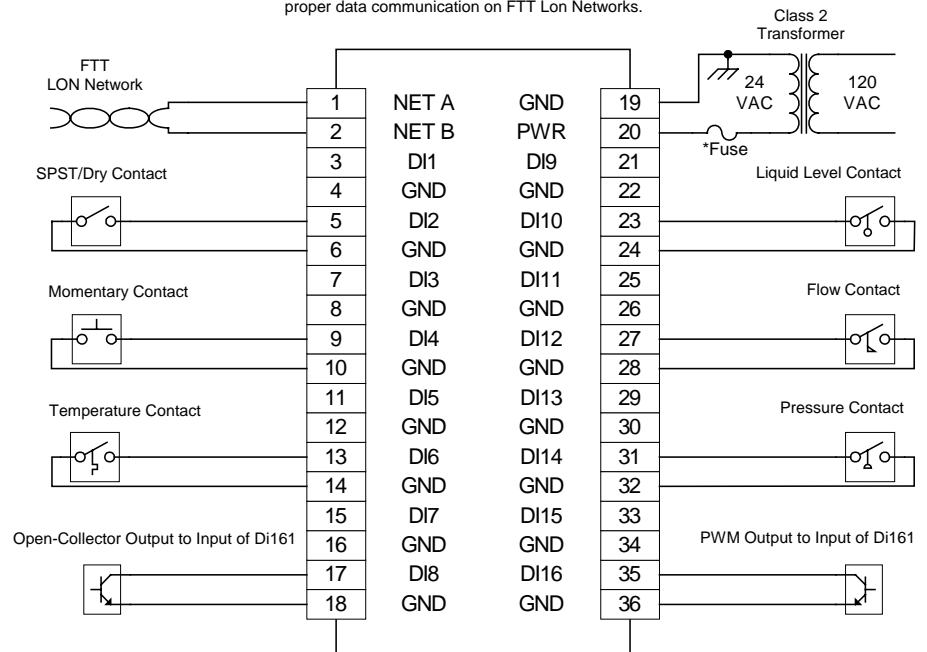
## OPTION JUMPER SELECTIONS

There are no option jumpers on the Di161 that require jumpers for selection.

## EXAMPLE WIRING DIAGRAM

### IMPORTANT WIRING INFORMATION

- Secondary of Class 2 transformer should always be earth grounded to provide reliable communication and input readings.
- \*External fuse not supplied. Size fuse according to application load and not to exceed 5 Amps.
- Twisted-pair unshielded cable with proper wire gauge and termination should be used to maximize distance and provide proper data communication on FTT Lon Networks.



DI1, DI3, DI5, DI7, DI9, DI11, DI13, DI15 are not connected to any device in this example.